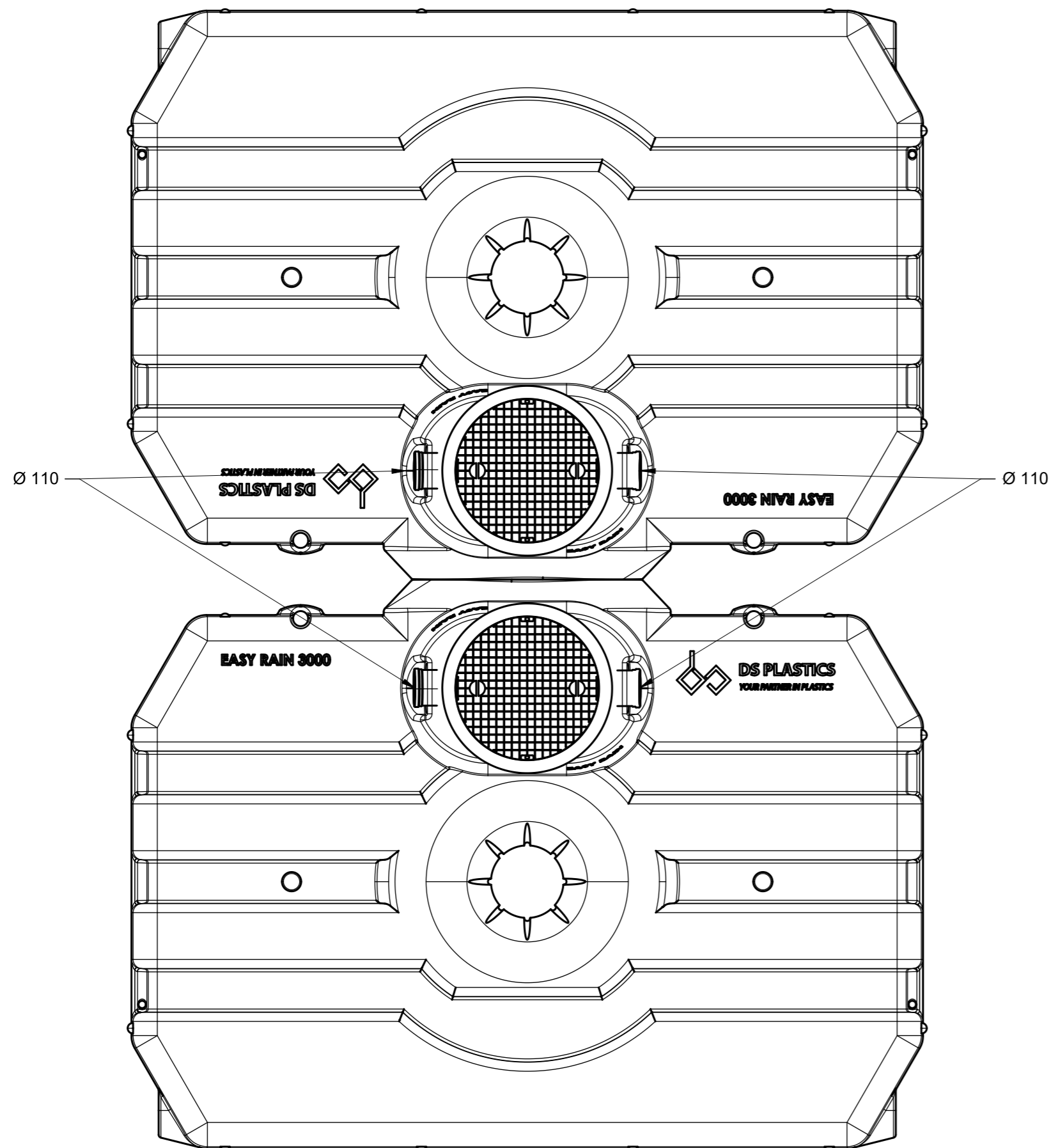
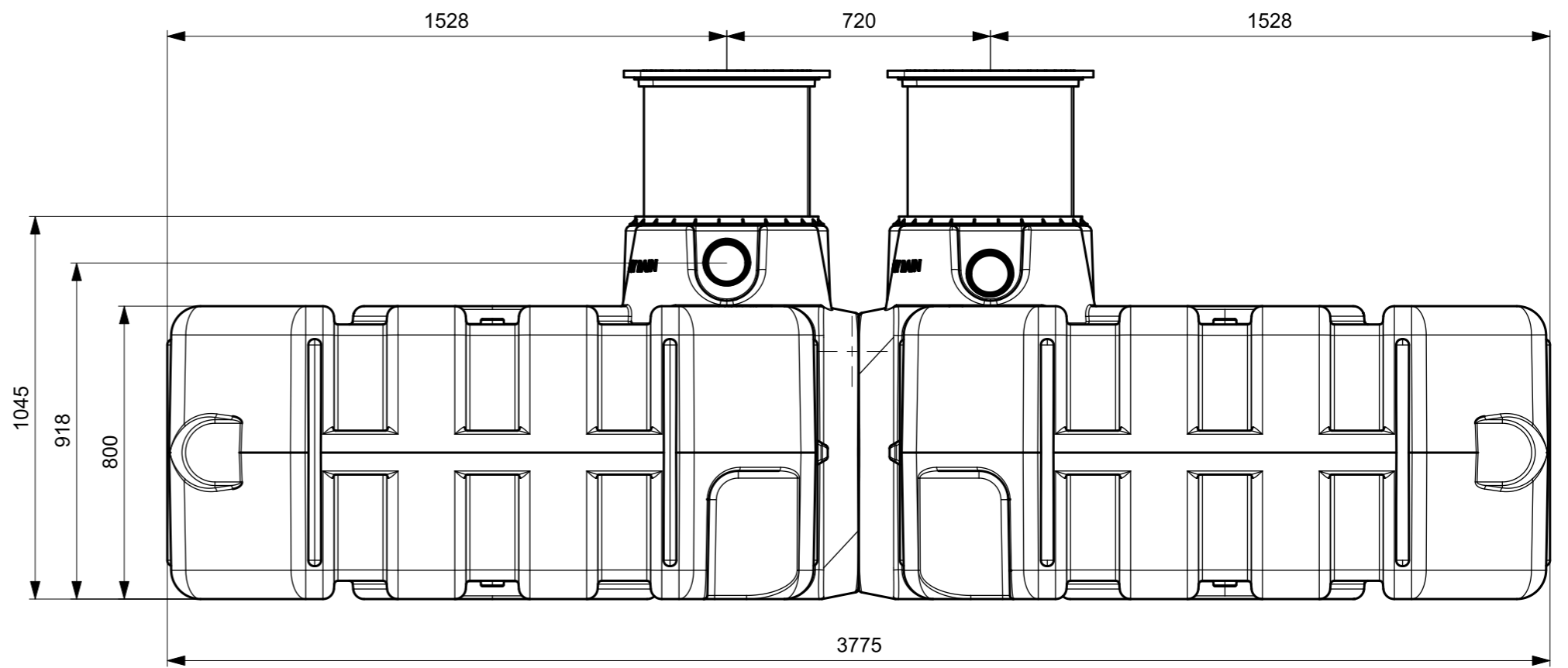
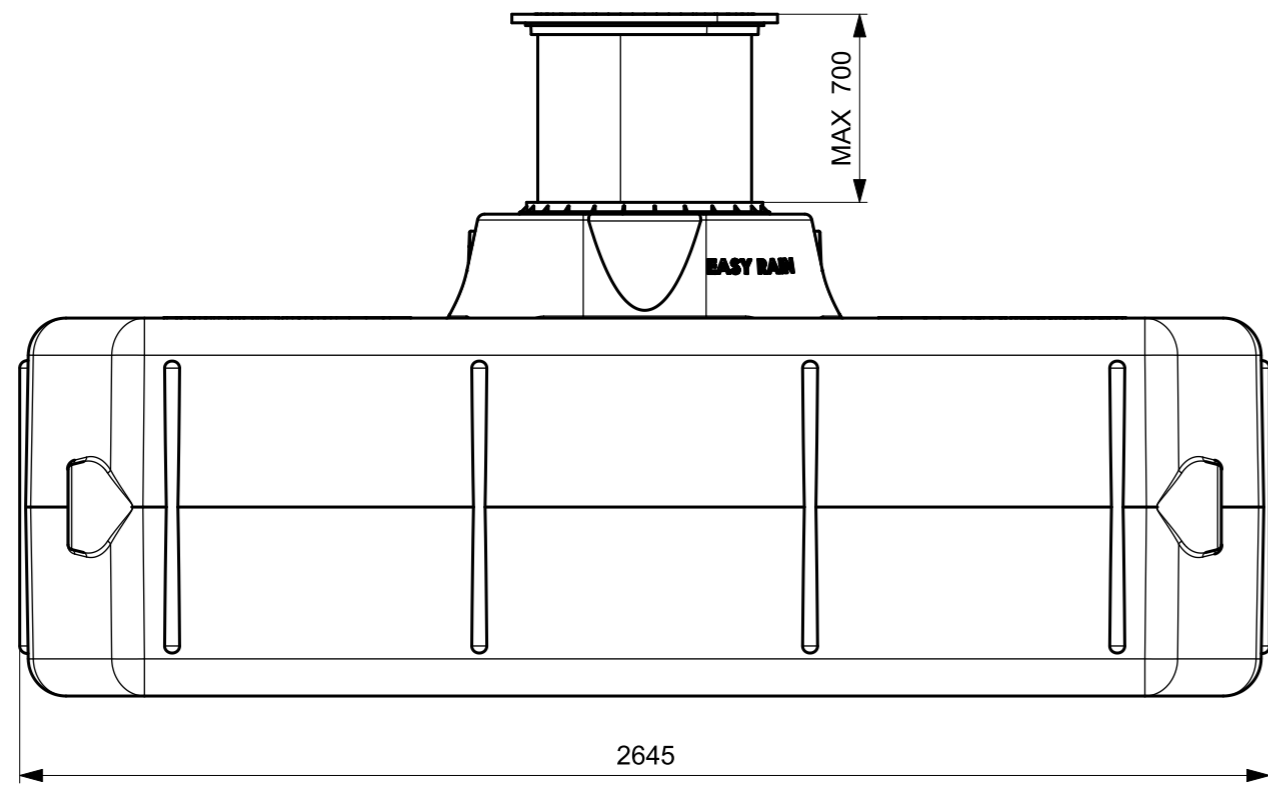
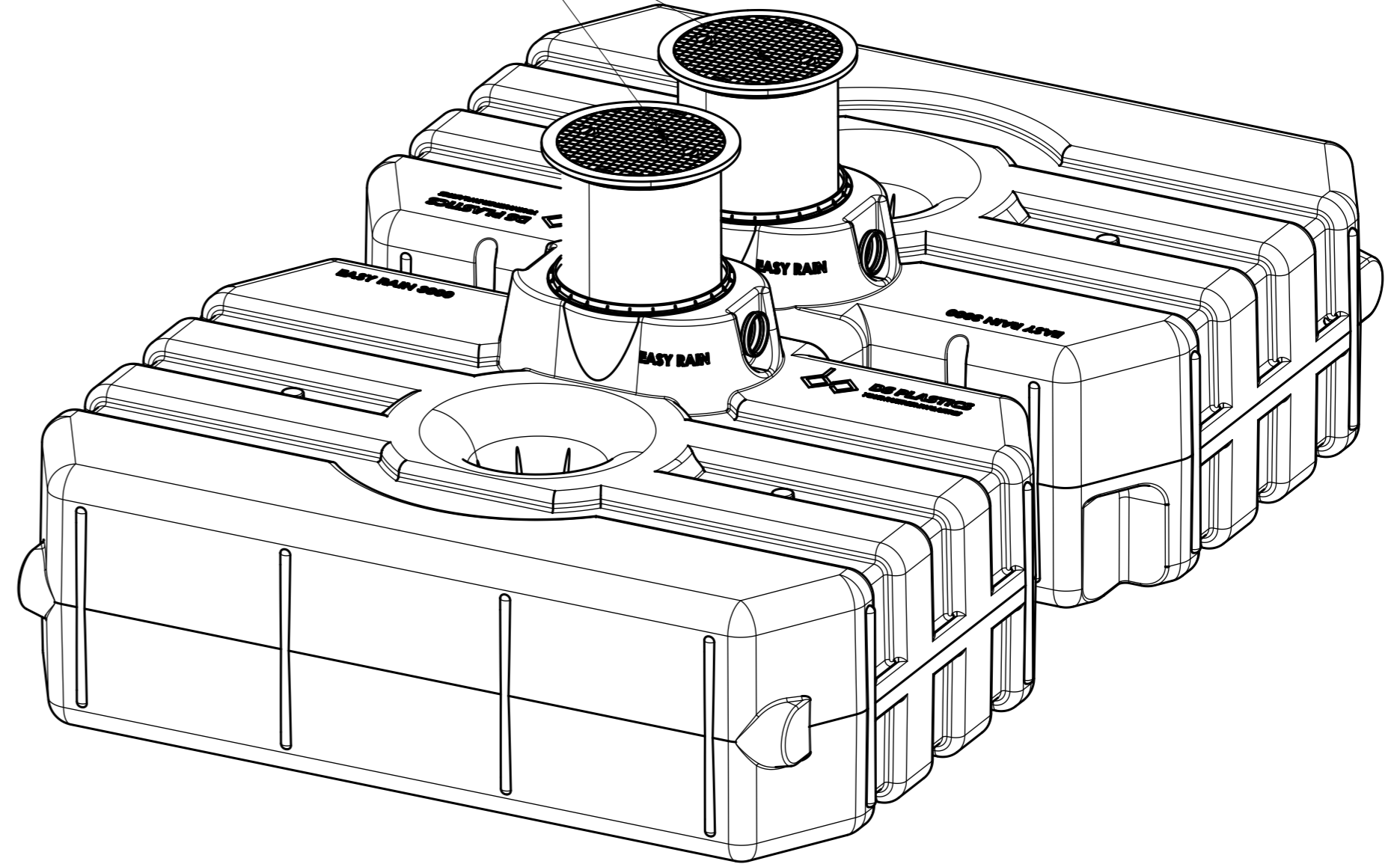


8 7 6 5 4 3 2 1



Manhole Ø 500 mm



Linear tolerances	Surface roughness	Shape and positioning tolerances	Bend tolerances	Finishing
Drawing name				Material
EASY RAIN 6000L				LLDPE
Drawn by	Name	Date	Drawing number	Sheet 1 of 1
Approved by	unit : MM		EASY_RAIN_6000L_2D_0.01.prt	Scale 1 : 16
DS PLASTICS WATER TIGHT SOLUTIONS DS PLASTICS N.V. Mosten 18 9160 Lokeren T: +32 (0)9 280 78 80			All rights reserved. No parts of this concept may be reproduced in any form or by any means without the prior written permission of DS PLASTICS N.V.	

8 7 6 5 4 3 2 1